

AQUAMOP 3 TO 8 M³

RAINWATER HARVESTING TANK
POLYETHYLENE (PE)
IN-GROUND INSTALLATION

6022

GARANTIE
CONTRE LA
CORROSION
JUSQU'À

10 ANS



1 Technical definition

The rainwater harvesting system collects and stores roof water, which is then made available to the user via a pumping system.

Collected water flows into the tank by first passing through a downspout filter and then the tank filter, which has a filtration fineness of less than 1 mm.

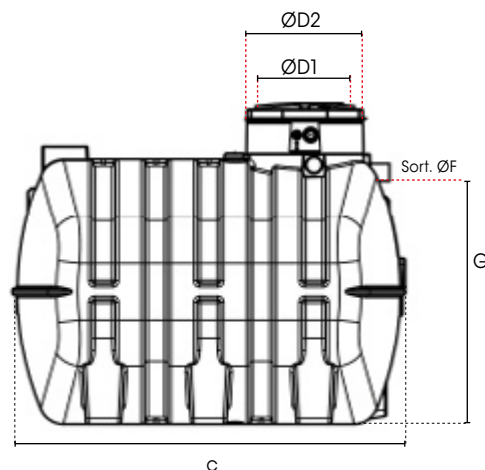
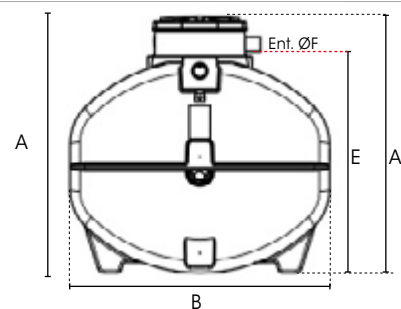
An anti-settling device prevents the heaviest fine matter from being resuspended after settling. When the tank is full, excess water is returned to the collection network or to an overflow. A pumping device is required for easy operation (optional). Extra-flat tank made of linear medium-density polyethylene

2 Maintenance

- Inlet filter cleaning
- Check condition of suction strainer
- Emptying: complete emptying at the end of summer, with cleaning and suction of deposits at the bottom of the tank before refilling in winter.

3 Water requirements - A family with 4 children

| | |
|-------------------------|--|
| Watering | 30m ³ /year |
| WC | from 30 to 60m ³ /year |
| Cleaning/washing floors | 3m ³ /year |
| Washing machine | from 11 to 18m ³ /year |
| | Between 74 and 111 m³/year |



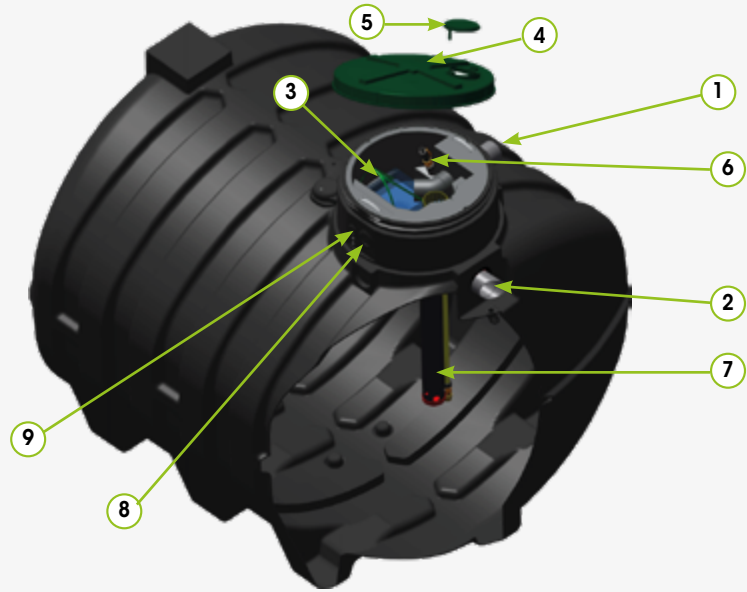
| Reference | Volume | A* | B | C | ø D1 | ø D2 | E (inlet) | ø F | G output | Weight |
|-----------------|--------|------|------|------|------|------|-----------|-----|----------|--------|
| CEP2/6022/03TH6 | 3000 L | 1700 | 1450 | 2264 | 600 | 718 | 1440 | 100 | 1258 | 140 |
| CEP2/6022/05TH6 | 5000 L | 1951 | 1977 | 2390 | 600 | 718 | 1689 | 100 | 1484 | 173 |
| CEP2/6022/06TH6 | 6000 L | 2464 | 2202 | 2103 | 600 | 718 | 2204 | 100 | 1987 | 288 |
| CEP2/6022/08TH6 | 8000 L | 2464 | 2202 | 2701 | 600 | 718 | 2204 | 100 | 1987 | 366 |

*Lid height included, lid height 101mm

AQUAMOP 3 TO 8 M³

RAINWATER HARVESTING TANK
POLYETHYLENE (PE)
IN-GROUND INSTALLATION

1. DN100 inlet
2. DN100 outlet
3. Collector system with handles, including fixed 5mm filter and removable 1mm mesh basket
4. Screw-on lid
5. Access hatch for quick connection
6. Integrated discharge kit, quick-fit coupling with valve for connection to DN19 pipe for submersible pump with 1" thread.
7. Anti-burrow tube
8. Drilling with DN25/32 porthole seal for submerged pump electrical cable entry
9. Hole with DN50/63 porthole seal for suction tube passage (to be used if KPI-1/KASP6/KRAL32-1 kit is connected)



Supplied with delivery kit for sprinklers with quick-release coupling




6 Options

| | | |
|------------------------|--|---------------|
| PP58/06-1 | Submersible and surface pumps | See FT 6032 |
| PP58/11-1 | Pumping with manager | |
| CA3/10/3T/2 | Set of 2 3-ton anchoring belts for 3, 4, 5 and 6 m pits ³ | |
| FDG12 | Simplified downspout filter | |
| FGU11 | UV filtration system | |
| RH2/6031 | Screw-on extension, can be cut to size, height 300mm (only 1 extension per manhole possible) | |
| KITJUM50 | DN50 quick coupling kit | See FT 6022AC |
| KASP7 et KASP8 | Kit for connection to overhead pump via DN25 compression fitting, equipped with strainer and float at suction into tank KASP7 for 3 and 5m ³ tanks KASP8 for 6 and 8m ³ tanks | |
| KRAL32-1 | 7m extension kit (can be cut to size if required) of OPAL POOLHOSE DN25 reinforced flexible PVC pipe fitted with a 1" threaded compression fitting and a 1" compression fitting. | |
| KPI-2 and KPI-3 | Discharge kit for submersible pump, connection to a 1" pump and discharge via a DN25 compression fitting, additional connection of the integrated discharge kit (quick coupling) to the 1" T KPI-2 for 3 and 5m ³ tanks KPI-3 for 6 and 8m ³ tanks | |

AQUAMOP 3 TO 8 M³

RAINWATER HARVESTING TANK
POLYETHYLENE (PE)
IN-GROUND INSTALLATION

| | Submersible pump (in tank) | | | Surface pump | Water manager |
|--|----------------------------|-----|--------------------------|--------------|--|
| | Watering | | | Watering | WC, washing machine, sprinkler system |
| | Quick coupling | Tap | Quick connector + tap | | |
| Integrated discharge kit (included)  | including | | included | | |
| KPI-2 KPII-3  | | | 1 + | | |
| KRAL32-1  | | 1 | 1 | 1 + | 1 + |
| KASP7 et KASP8  | | | | 1 + | 1 + |

Example : I want to integrate a submersible pump in my tank for watering the garden. I'd like to connect both to a tap and from the quick connector built into my tank.

I'll need the following options:

- discharge kit (already included)
- KPI
- KRAL32-1